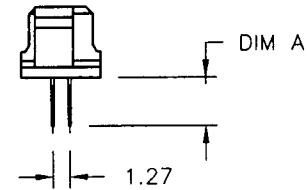
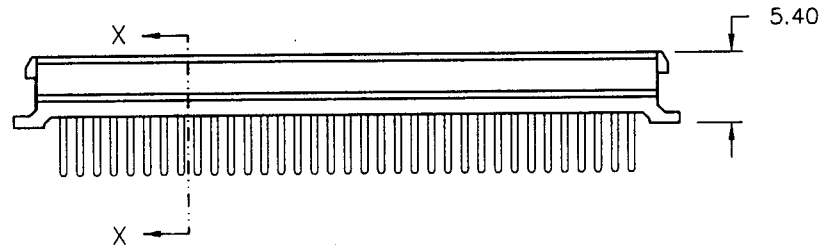
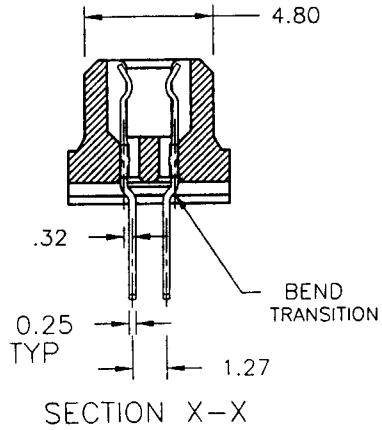
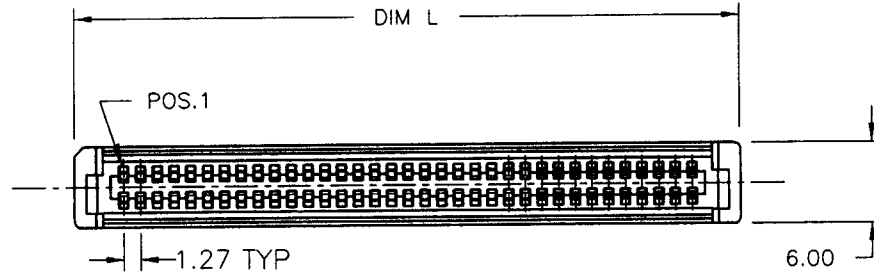
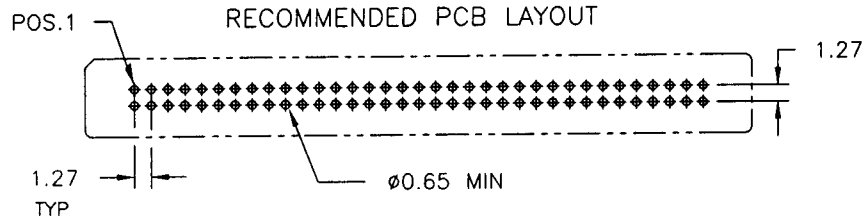


Tous droits strictement reserves. Reproduction ou communication a des tiers interdite sous quelque forme que ce soit sans autorisation écrite du propriétaire. Propriete de © BERG ELECTRONICS. Droits de reproduction BERG ELECTRONICS INC.

All rights strictly reserved. Reproduction or issue to third parties in any form whatever is not permitted without written authority from the proprietor. Property of © BERG ELECTRONICS Copyright BERG ELECTRONICS INC.

PRODUCT NUMBER	POS.	DIM L	DIM A
74193-070	70	50.58	2.62 MIN 3.65 MAX
74193-170	70	50.58	1.95 MIN 2.55 MAX
74193-090	90	63.28	2.62 MIN 3.65 MAX
74193-190	90	63.28	1.95 MIN 2.55 MAX



mat'l. code				tolerances unless otherwise specified		CUSTOMER COPY		<b>BERG ELECTRONICS</b>	
ltr	ecn no	dr	date	linear	.X ±.3	projection		title	
A	T70447	P P	10/20/97		.XX ±.13			MODULEMATE	
B	T80025	H C	01/17/98	angles	.XXX ±.051			VERT RECPT SPECIAL	
C	T90074	C H	02/25/99		0' ±2'	mm	product family	modulemate	code
				dr	PETER PAM	10/20/97	size	dwg no	
				enr	H C LIU	10/20/97	scale	A4	74193
				chr	H C LIU	10/20/97	1.5/1		sheet
				appd	JENN TSAO	10/20/97			1 of 1
sheet index	revision sheet	C	1						

cage code  
22526